

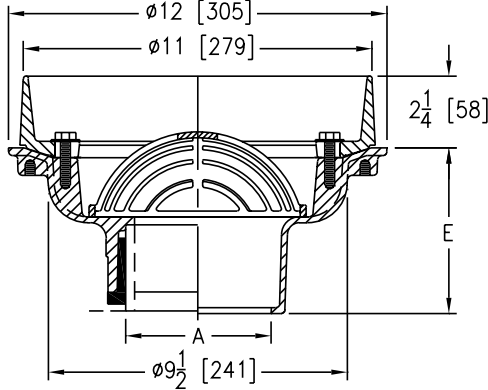
Z122 12" DIAMETER DECK RECEPTOR DRAIN



ENGINEERING SPECIFICATION

Zurn Z122 12" diameter deck receptor drain features Dura-Coated cast iron body with combination membrane flashing clamp/deck receptor frame and internal dome strainer.

A Pipe Size inches [mm]	Approximate Weight lb [kg]
2 [51], 3 [76], 4 [102], 6 [152]	29 [13]



PREFIXES	DESCRIPTION	PIPE SIZE	LIST PRICE
Z122*	D.C.C.I. Body with Collar	2", 3", 4", 6"	719.00

OUTLETS (SPECIFY PIPE SIZE IN INCHES AND TYPE OF OUTLET)

OUTLET TYPE	OUTLET DESIGNATION (PIPE SIZE/OUTLET TYPE)	E BODY HT. DIM.	ADD
NH	No-Hub	2NH, 3NH, 4NH, 6NH	5-1/4" N/C
NL	Neo-Loc (not recommended for roof drains)	2NL, 3NL, 4NL	4-5/8" N/C

SUFFIXES

SUFFIXES	ADD
-AR	Acid Resistant Epoxy Coated Finish 1,017.00
-C	Underdeck Clamp 150.00
Ⓢ -DP	Top-Set® Roof Deck Plate (Replaces both -C and -R) 339.00
-E	2" High Static Extension D.C.C.I. 171.00
	Galv. 326.00
	For Each Additional 1" above 2" - D.C.C.I. 87.00
	Per Inch (Specify Height) Galv. 165.00
Ⓢ -EB	Top-Set Adjustable Extension Assembly 503.00
-G	Galvanized Cast Iron 171.00
-HD	High Dome 98.00
-R	Roof Sump Receiver 257.00
Ⓢ -TC	Neo-Loc Test Cap Gasket (2" thru 4" NL Bottom Outlet Only) 24.00

BEST SELLERS

	LIST PRICE
Z122-2NH-C-R	1,126.00
Z122-4NH	719.00

*Regularly furnished unless otherwise specified.

Items designated as Best Sellers are most specified and are generally in stock for shipment.

Ⓢ This symbol denotes a product that is engineered to reduce installation and rework time.

Supplied By:

COMMERCIAL PLUMBING SUPPLY

877-903-7246

www.commercialplumbingsupply.com

INTRO ROOF DRAINS FLOOR DRAINS T, P, BW VALVES INTERCEPTORS CARRIERS HYDRANTS CLEANOUTS W/HA SS DRAINS FAB SS DRAINS SAN-FLOOR TECH INFO